

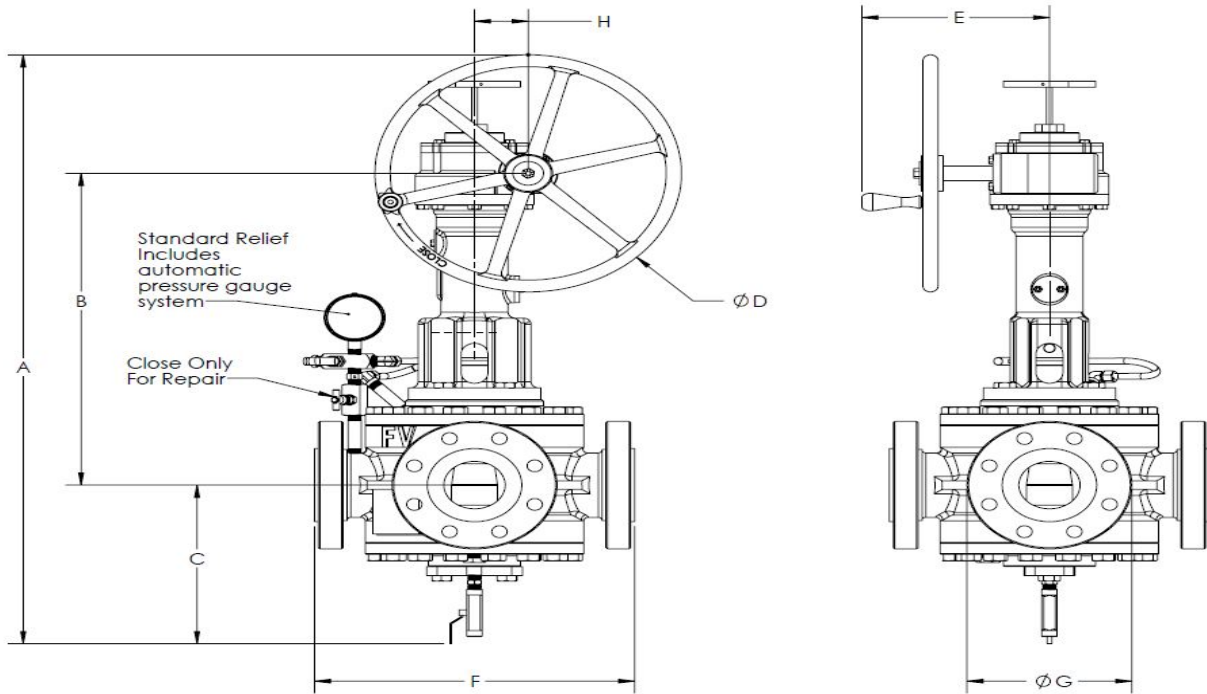
# 4-Way Diverter Valve

Design incorporates proven performance features and characteristics:

- ASME B16.34
- Multi-turn Actuation
- In-Line Maintenance
- Automatic Pressure Gauge

STOCK OFFERING	
ASME CLASS	SIZES (in)
150	4, 12, 16
300	2-12, 16
600	3-10





ASME Class	Size	Valve Model	4-Way Op	A	B	C	D	E	F	G	H	Weight (lbs)
150	4	Q411	QD-92-008	36	21	8	16	11	20.0	9.0	7.9	347
	12	Q411	502	66	37	18	20	14	44.0	19.0	5.0	3190
	16	Q411	702	101	61	24	32	23	60.0	23.5	9.0	7920
300	2	Q431	QD-92-008	35	20	7	16	15	14.0	6.5	7.9	256
	3	Q431	QD-92-008	35	20	7	16	15	15.0	8.3	7.9	292
	4	Q431	QD-92-008	36	21	8	16	15	20.0	10.0	7.9	388
	6	Q431	502	57	33	14	20	14	24.0	12.5	5.0	1300
	8	Q431	502	58	35	13	20	14	28.0	15.0	5.0	1800
	10	Q431	502	61	36	15	20	14	32.0	17.5	5.0	2700
	12	Q431	502	66	37	18	20	14	44.0	20.5	5.0	3390
600	16	Q431	702	101	61	24	32	23	60.0	25.5	9.0	8420
	2	Q461	QD-92-008	35	20	7	16	15	14.5	6.5	7.9	256
	3	Q461	QD-92-008	35	20	7	16	15	15.8	8.3	7.9	292
	4	Q461	402	48	26	12	20	12	20.9	10.8	3.5	750
	6	Q461	502	57	33	14	20	14	25.4	14.0	5.0	1400
	8	Q461	502	58	35	13	20	14	29.5	16.5	5.0	2010
	10	Q461	502	62	36	16	20	14	33.6	20.0	5.0	2980

\*Design features and dimensional data, as described in this bulletin, are provided for your information only and should not be relied upon unless confirmed in writing.

\*All dimensions provided in the chart above are in inches.